

APPROVAL REQUIRED

Please confirm the following are correct:

Imprint Color(s)

Spelling

Imprint Size(s)

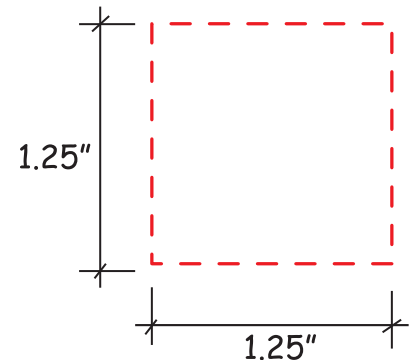
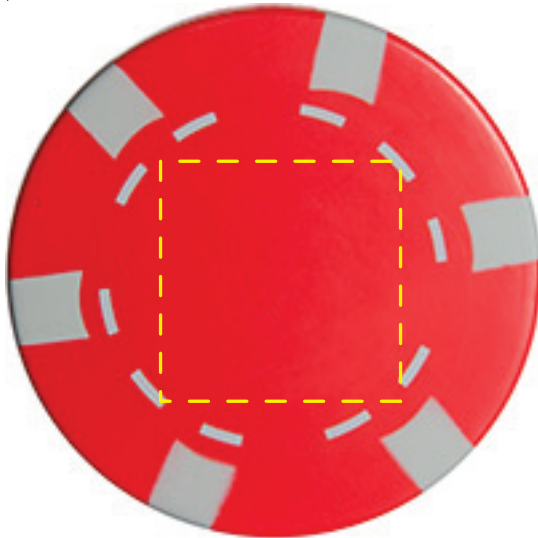
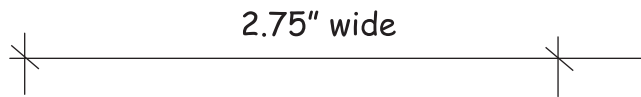
Imprint Location(s)

If changes are required, please advise us by email.

By approving this proof, you are authorizing us to print your order.

Gk396 RED POKER CHIP

IMPRINT COLOR:



APPROVAL REQUIRED

Please confirm the following are correct:

Imprint Color(s)

Spelling

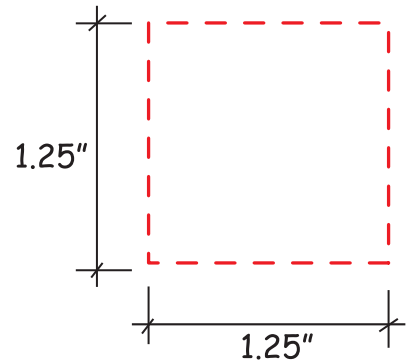
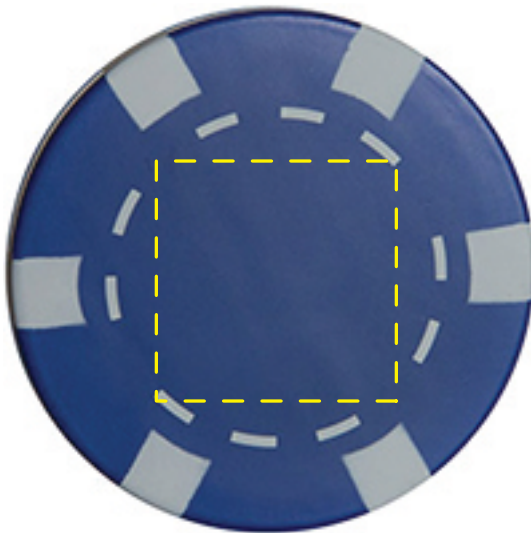
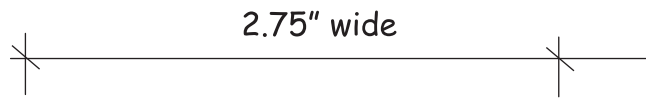
Imprint Size(s)

Imprint Location(s)

If changes are required, please advise us by email.
By approving this proof, you are authorizing us to print your order.

Gk397 BLUE POKER CHIP

IMPRINT COLOR:



APPROVAL REQUIRED

Please confirm the following are correct:

Imprint Color(s)

Spelling

Imprint Size(s)

Imprint Location(s)

If changes are required, please advise us by email.

By approving this proof, you are authorizing us to print your order.

Gk398 GREEN POKER CHIP

IMPRINT COLOR:

